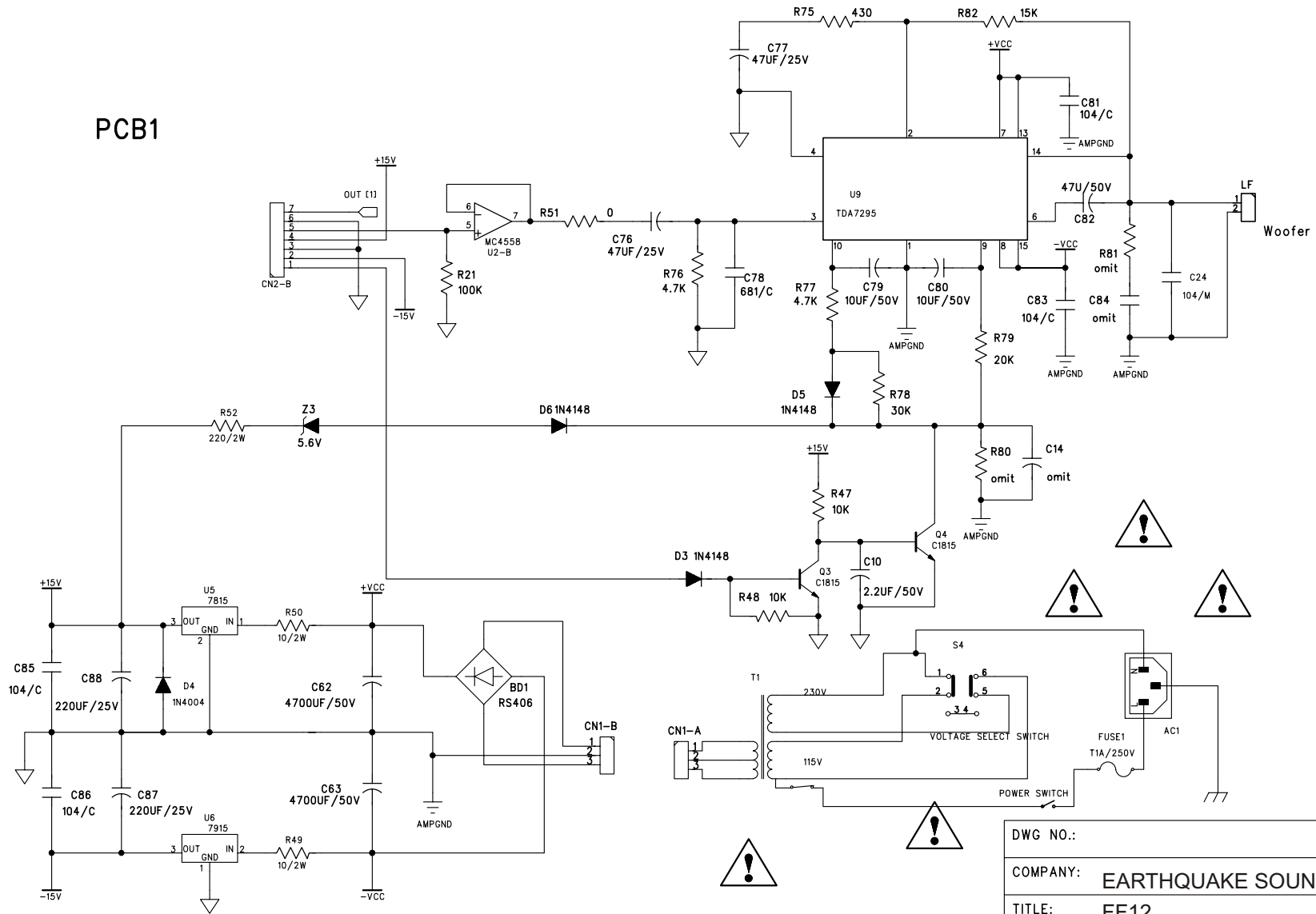


DWG NO.:					
COMPANY: EARTHQUAKE SOUND					
TITLE: FF12					
DRAWN: LSM	DATED: Dec.19,2006	CHECKED:	DATED:	APPROVED:	DATED:
SIZE:A3	REV:1.0		SHEET: 1 OF 2		

PCB1



DWG NO.:					
COMPANY: EARTHQUAKE SOUND					
TITLE: FF12					
DRAWN: LSM	DATED: Dec.19,2006	CHECKED:	DATED:	APPROVED:	DATED:
SIZE:A3	REV:1.0		SHEET: 2 OF 2		

C

D