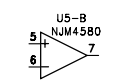
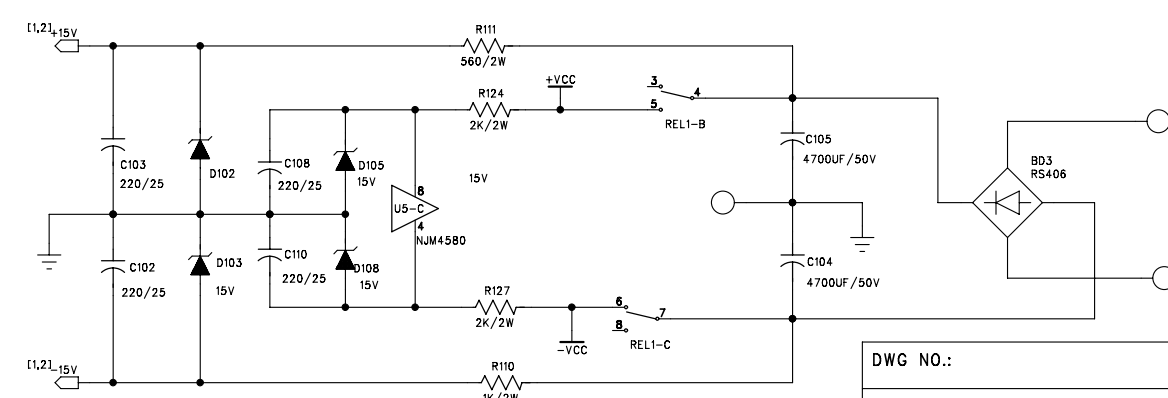
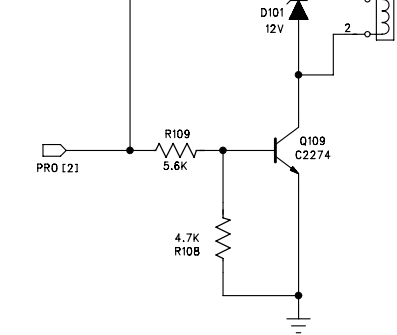
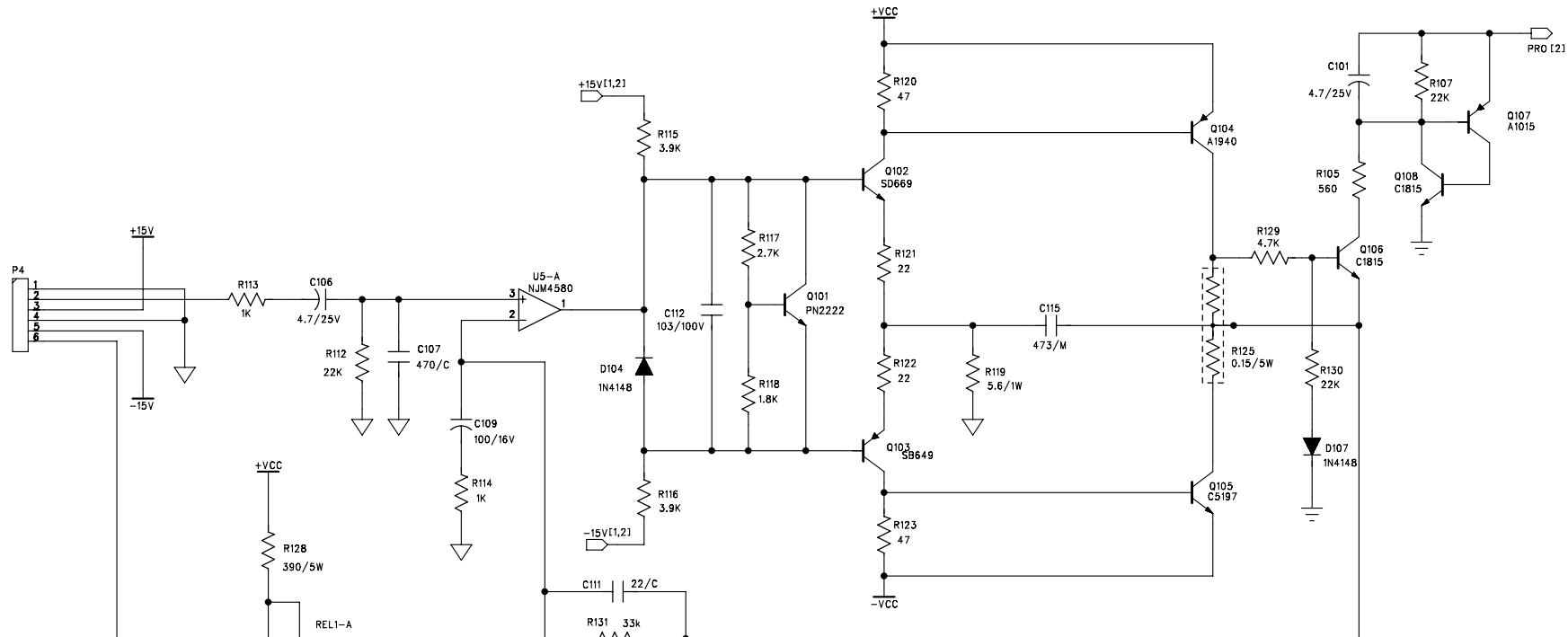


|                           |                        |               |        |           |        |
|---------------------------|------------------------|---------------|--------|-----------|--------|
| DWG NO.:                  |                        |               |        |           |        |
| COMPANY: EARTHQUAKE SOUND |                        |               |        |           |        |
| TITLE: SUB80x INPUT       |                        |               |        |           |        |
| DRAWN:<br>LSM             | DATED:<br>Feb 15, 2008 | CHECKED:      | DATED: | APPROVED: | DATED: |
| SIZE:A3                   | REV:1.0                | SHEET: 1 OF 1 |        |           |        |



|                           |                       |               |        |           |        |
|---------------------------|-----------------------|---------------|--------|-----------|--------|
| DWG NO.:                  |                       |               |        |           |        |
| COMPANY: EARTHQUAKE SOUND |                       |               |        |           |        |
| TITLE: SUB80x AMP         |                       |               |        |           |        |
| DRAWN:<br>LSM             | DATED:<br>Feb 15,2008 | CHECKED:      | DATED: | APPROVED: | DATED: |
| SIZE:A3                   | REV:1.0               | SHEET: 1 OF 1 |        |           |        |

3

4

C

D